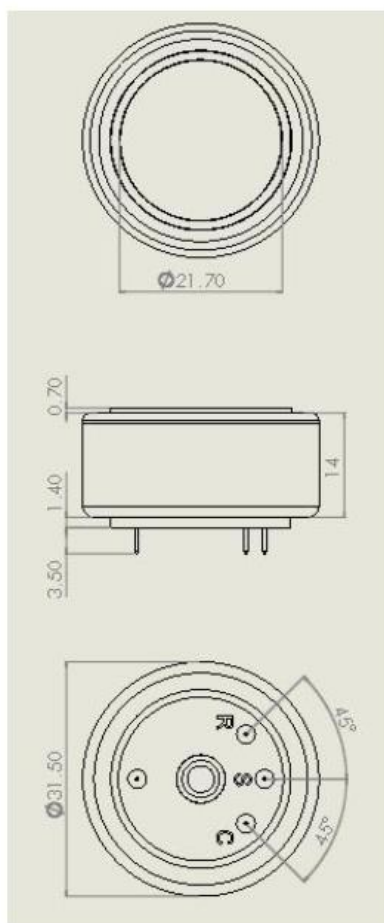


# 7-N2H4-1 HYDRAZINE SENSOR

## 0-1PPM N2H4



### Outline Dimensions



All dimensions in millimeters ( $\pm 0.1\text{mm}$ )

Note: PCB sockets are recommended for the sensor pin connection. Soldering to the sensor should be avoided and will invalidate warranty.

All performance specifications are based upon the following environment conditions:  $+20^{\circ}\text{C}$ , 50% relative humidity and 1 atm (1013 mBar or ambient pressure).

### SPECIFICATION – 7 SERIES

<b>Operating Principle:</b>	Electrochemical, 3-electrode cell
<b>Gas Detected:</b>	Hydrazine N <sub>2</sub> H <sub>4</sub>
<b>Measurement Range:</b>	0 – 1 ppm
<b>Maximum Over-Range:</b>	5 ppm
<b>Resolution:</b>	< 0.01 ppm
<b>Expected Operating Life:</b>	24 months in air
<b>Temperature Range:</b>	-20°C to +50°C
<b>Humidity Range (non-condensing):</b>	15 – 90% RH
<b>Response Time (T<sub>90</sub>):</b>	≤ 15 seconds
<b>Long Term Sensitivity Drift:</b>	< 2% signal per month
<b>Linearity at Standard Range:</b>	Linear
<b>Sensitivity:</b>	5 +/- 2 $\mu\text{A/ppm}$
<b>Repeatability:</b>	< +/- 2% signal
<b>Pressure range:</b>	80 to 1200 mbar
<b>Bias Potential:</b>	0 mV
<b>Recommended Load Resistor:</b>	5 ~ 10 $\Omega$
<b>Warranty Period:</b>	18 months from date of manufacture
<b>Storage Life:</b>	6 months in sealed container
<b>Storage Temperature:</b>	0°C to +20°C
<b>Weight (approx):</b>	5 g
<b>Orientation Sensitivity:</b>	None
<b>Part Number:</b>	2112B21310217

# 7-N2H4-1 HYDRAZINE SENSOR

## 0-1PPM N2H4

### CROSS SENSITIVITY DATA

Gas	Concentration (ppm)	Output Signal (ppm N2H4 equivalent)
Ammonia NH3	1.2	1
Carbon Dioxide CO2	1000	0
Carbon Monoxide CO	1	1.8
Methane CH4	1000	0

**Notes:** Calibration with cross-sensitivity gas is not recommended. The cross-sensitivity may fluctuate between +/- 30% and may differ from batch to batch and within the sensor's lifetime. The cross-sensitivities are including but not limited to the above gases. The sensor may also respond to other gases.